

Energy-saving fans K1G 250 and W1G 250

Ideal solutions for refrigerated display cases.

ebmpapst

The engineer's choice



Economical refrigeration day in, day out.

Compact energy-saving fans for refrigerated and freezer cabinets:

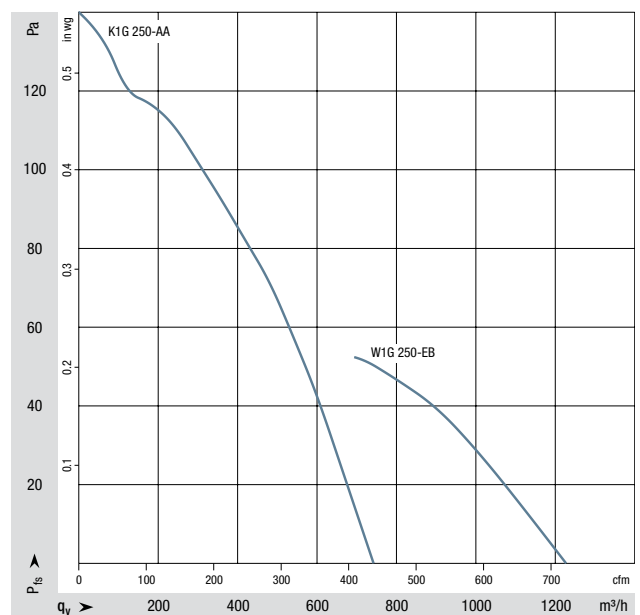
Energy efficiency has become one of the most important topics in virtually all areas of life. Air conditioning and refrigeration systems in particular tend to be in operation for long periods and so offer tremendous potential for saving energy. Powerful **GreenTech EC motors** from ebm-papst provide the best possible basis. This is exemplified by the new energy-saving fans **W1G 250** and **K1G 250**, which already have a proven track record as size 200 respectively 230 versions.

The W1G product range is intended for **installation under the shelves of refrigerated and freezer cabinets**. By contrast, the new K1G range was specially designed for the **back wall of refrigerated displays**, where installation space is often at a premium. Thanks to its extremely shallow design, it even fits into small gaps and so permits optimum operation.

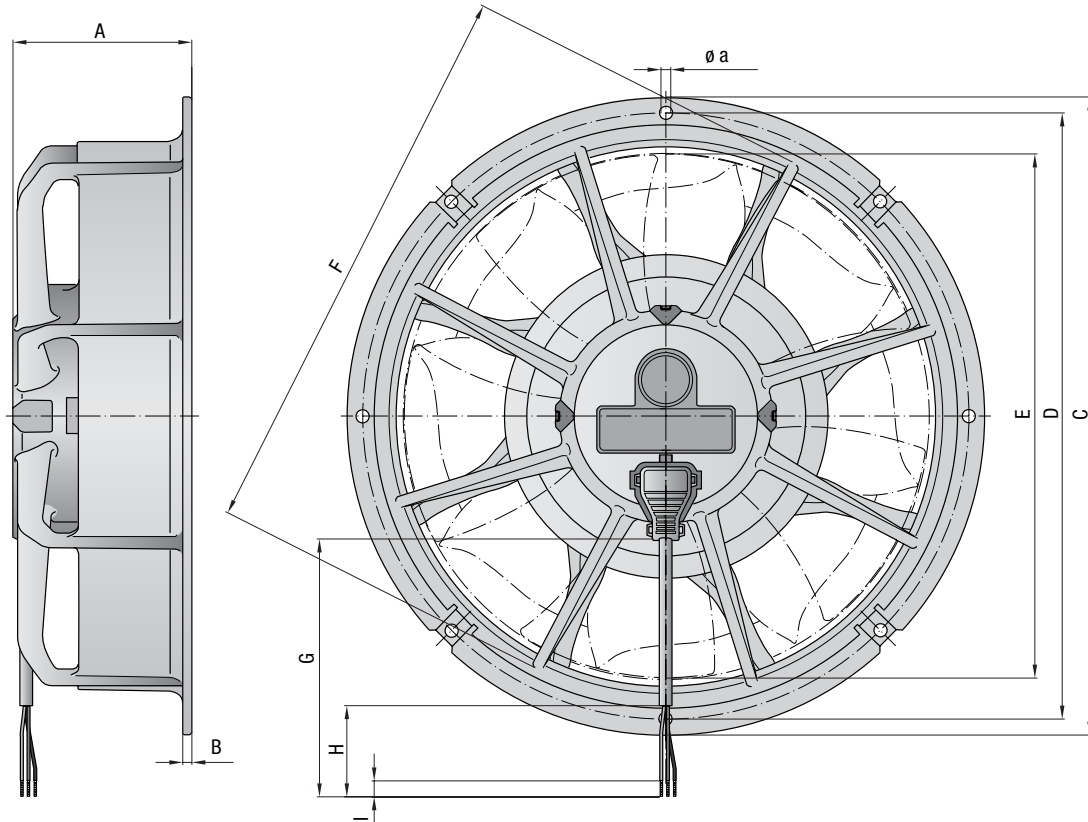


All the advantages at a glance:

- + Optimized for refrigerated cabinets**
Reduced heat loss saves even more energy – with a life expectancy surpassing 40,000 hours. The compact design ensures space-saving and above all simple installation.
 - + Groundbreaking EC technology**
Motor speeds can be adjusted by way of a programming interface or controlled as required during operation with the aid of the optional ESM plug-in module.
 - + Ready-to-connect Plug & Play unit**
All the components are perfectly matched!
- Compact, smart and ready for economical continuous operation.**



Top performance, minimum space.



Nominal data			Nominal voltage range	Frequency	Speed	Max. power consumption	Max. input current	Perm. ambient temperature	Weight
Item number	Motor	VAC	Hz	rpm	W	A	°C	kg	
W1G 250-EB17-01	EC	M1G055-BI	1~230 V	50/60	1700	35	0.28	-30...+50	1.2
W1G 250-EB21-01	EC	M1G055-BI	1~115 V	50/60	1700	33	0.56	-30...+50	1.2
K1G 250-AA17-02	EC	M1G055-BI	1~230 V	50/60	1700	30	0.24	-30...+50	1.4
K1G 250-AA21-02	EC	M1G055-BI	1~115 V	50/60	1700	30	0.43	-30...+50	1.4

Dimensions												
Item number	Motor	A	B	C	D	E	F	G	H	I	a	
W1G 250-EB17-01	EC	M1G055-BI	84.5	4	312.5	295	250	271.8	450+20	40	6	4 x Ø 4.3
W1G 250-EB21-01	EC	M1G055-BI	84.5	4	312.5	295	250	271.8	450+20	40	6	4 x Ø 4.3
K1G 250-AA17-02	EC	M1G055-BI	83.5	4	306	292	252	274.5	450+20	40	6	4 x Ø 4.3
K1G 250-AA21-02	EC	M1G055-BI	83.5	4	306	292	252	274.5	450+20	40	6	4 x Ø 4.3

All dimensions in mm.

Data sheets available on request.

The product descriptions in this brochure do not represent assured properties.

Cable (total length 450 mm) is fitted at the factory and can be detached.

Cables of other lengths are available as accessories.

ebm-papst
Mulfingen GmbH & Co. KG

Bachmühle 2
74673 Mulfingen
Germany
Phone +49 7938 81-0
Fax +49 7938 81-110
info1@de.ebmpapst.com

ebmpapst

The engineer's choice